

## 208~230V Super High Fan Coil

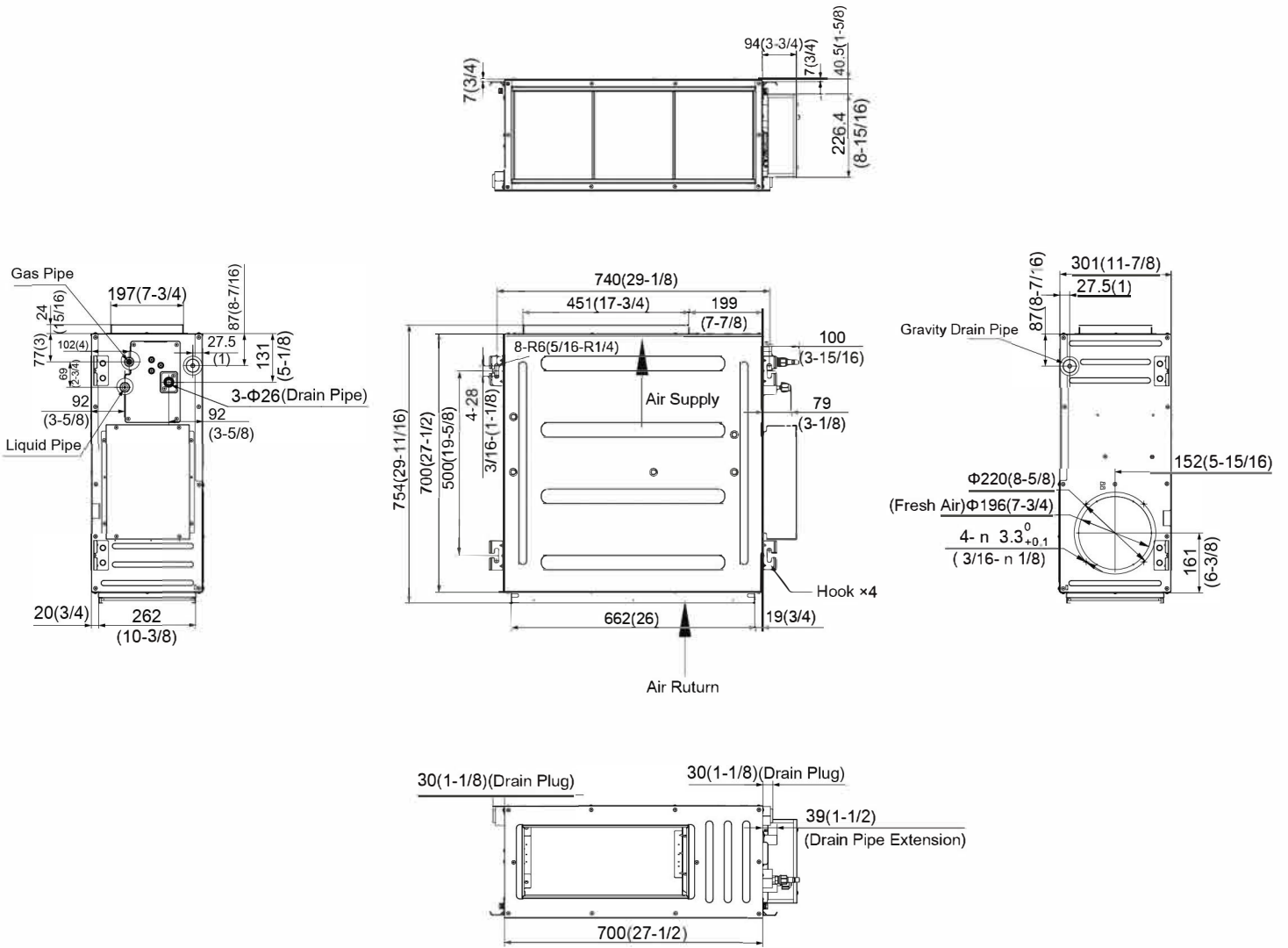
### Model:GMV-ND07PHS/B-T(U)



| Specifications                       | Unit                 | Parameter                                  |
|--------------------------------------|----------------------|--|
| Model                                | —                    | GMV-ND07PHS/B-T(U)                         |
| <b>Performance</b>                   |                      |  |
| Rated Cooling Capacity               | kBtu/h               | 7.5  |
| Rated Heating Capacity               | kBtu/h               | 8.5  |
| Sound Pressure Level                 | dB(A)                | 31/33/35                                   |
| <b>Electrical Data</b>               |                      |  |
| Power Supply                         | Voltage,Phase, Hertz | 208/230,1,60                               |
| Maximum Overcurrent Protection (MOP) | A                    | 15   |
| Minimum Circuit Amps (MCA)           | A                    | 1  |
| <b>Fan</b>                           |                      |  |
| Type × Quantity                      | —                    | Centrifugal × 1                            |
| Air Flow Volume                      | CFM                  | 235/282/323                                |
| ESP                                  | Pa                   | 60/0~150                                   |
| Fan Motor Running Current            | A                    | 0.3  |
| Fan Motor Power Output               | W                    | 150  |
| <b>Refrigerant Piping</b>            |                      |  |
| Connection Pipe                      | Gas(mm/inch)         | Φ9.52/Φ3/8                                 |
|                                      | Liquid(mm/inch)      | Φ6.35/Φ1/4                                 |
| Connection method                    | —                    | Brazing Connection                         |
| Refrigerant                          | —                    | R410A                                      |
| <b>Dimension/Weight</b>              |                      |  |
| Dimensions (H×W×D)                   | mm/inch              | 300×700×700/<br>(11-13/16×27-9/16×27-9/16) |
| Net Weight                           | kg/lbs               | 33/73                                      |
| <b>Other</b>                         |                      |  |
| Safety Certification                 | —                    | ETL  |

|                       |  |       |  |
|-----------------------|--|-------|--|
| Job Name:             |  | Date: |  |
| System Reference No.: |  |       |  |
| Engineer Signature:   |  |       |  |

## Outline and Physical Dimensions of GMV-ND07PHS/B-T(U).



| Model              | Gas Pipe Diameter | Liquid Pipe Diameter |
|--------------------|-------------------|----------------------|
| GMV-ND07PHS/B-T(U) | 3/8"              | 1/4"                 |

Unit:mm(in.)

